

Gamme EVO centré

Description:

Aluminum 6060T6 alloy framed wall.

Connection angle in extruded aluminum and maintenance of glazing and panels by direct clipping.

Wall width 80 mm, width 40 mm covering.

Removable partition For centered glazing.

Finishing:

Large range of colours for coating RAL or anodized.

Fillings:

Single glazing 12 or 15 mm.

Melamine panel of 19mm.

Doors:

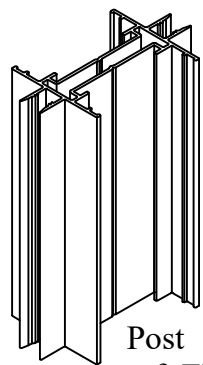
40 mm wooden doors

Aluminum frame door 40mm

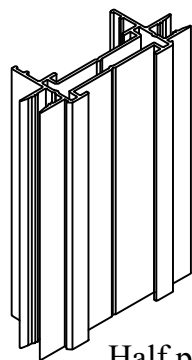
Clarite door

Siège social: 3 route de Bichailloux
19 ZA Croix Saint Mathieu
28320 Gallardon
France

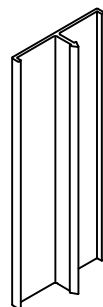
Téléphone: +33 6 78 87 57 37
Mail: info@sact.fr
Site internet: www.sact.fr



Post
ref: EVO150

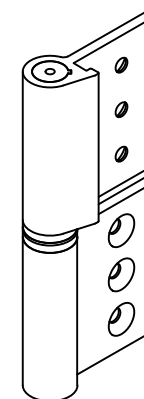


Half post
ref: EVO151

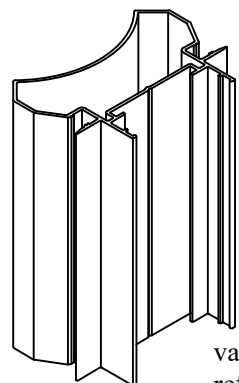


Covering
ref: EVO155

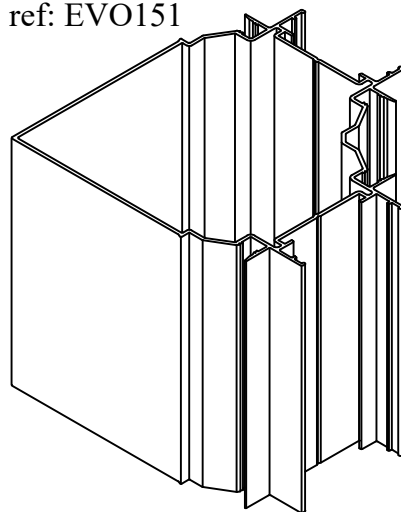
Glazing section centered
ref: EVO230



Hinges
ref: AC10



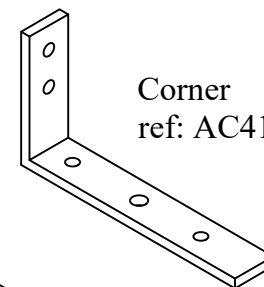
variable starter
ref: EVO300



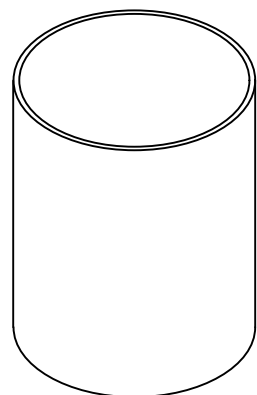
Right square
ref: EVO310



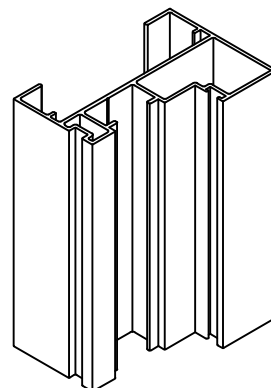
Clips
ref: AC01



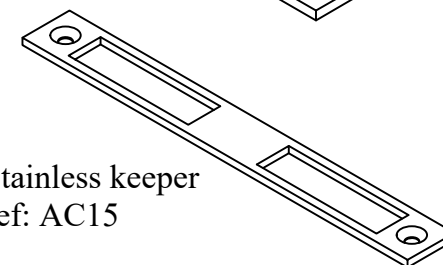
Corner
ref: AC41



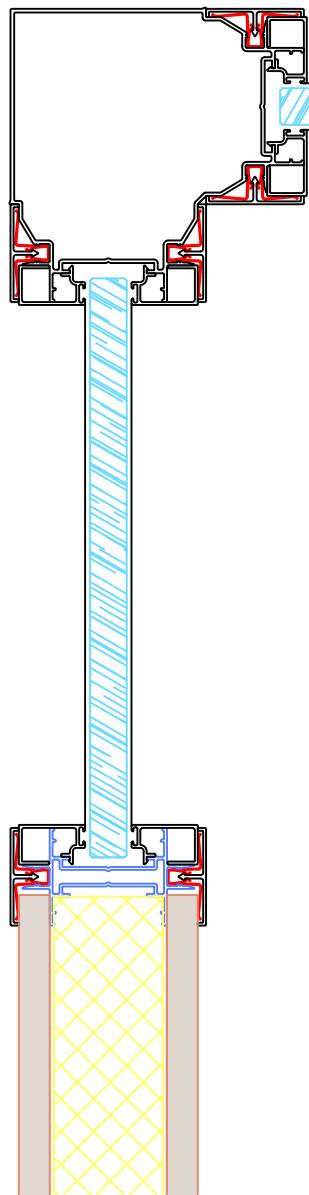
Tube Ø80
ref: EVO80



Doorframe
ref: EVO400



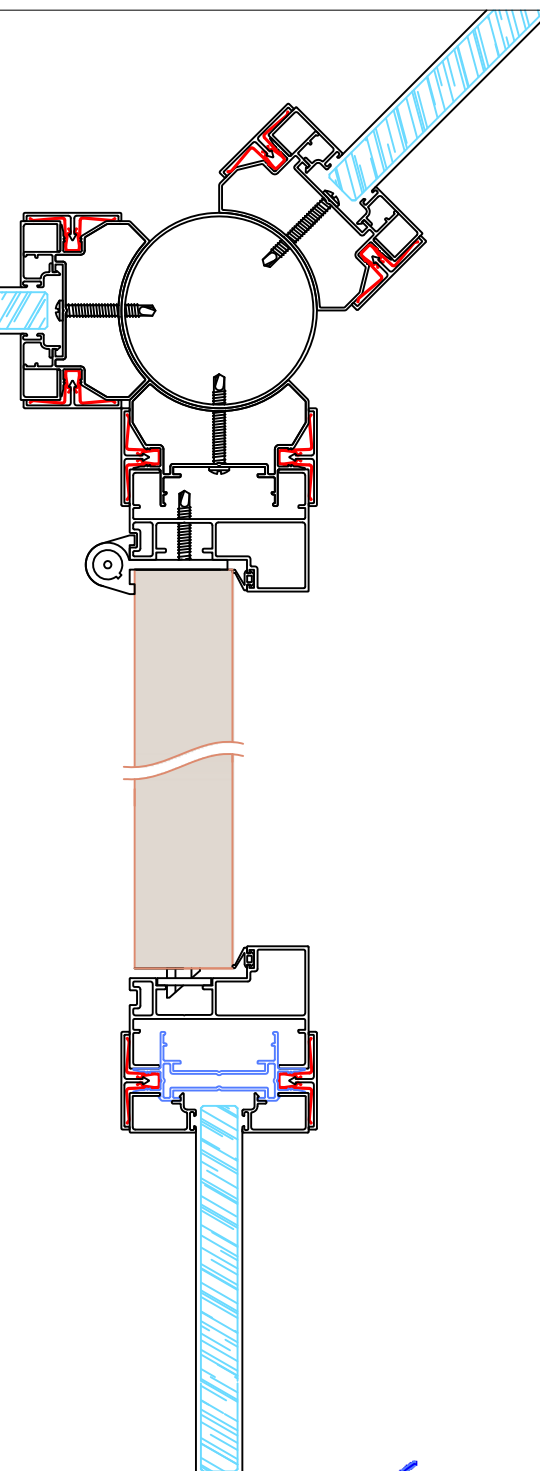
Stainless keeper
ref: AC15

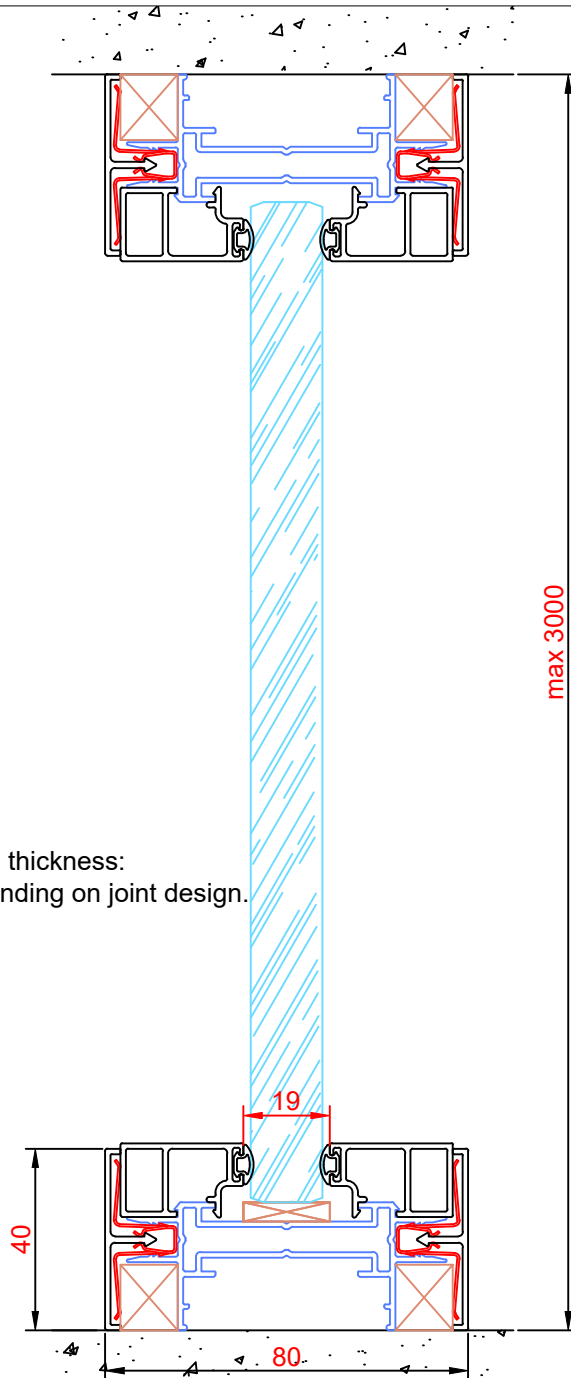


Remplissages / Filling

verre épaisseur de 10,12 ou 15 mm.
Aggloméré mélangé de 19 mm.

*Glass from 10,12 and 15 mm
Melamine panel of 19mm.*



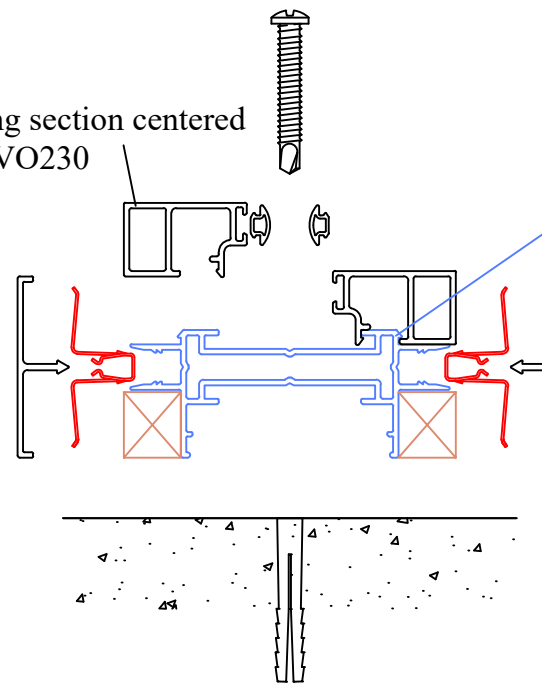


Glazing thickness:
12 or 15 mm depending on joint design.

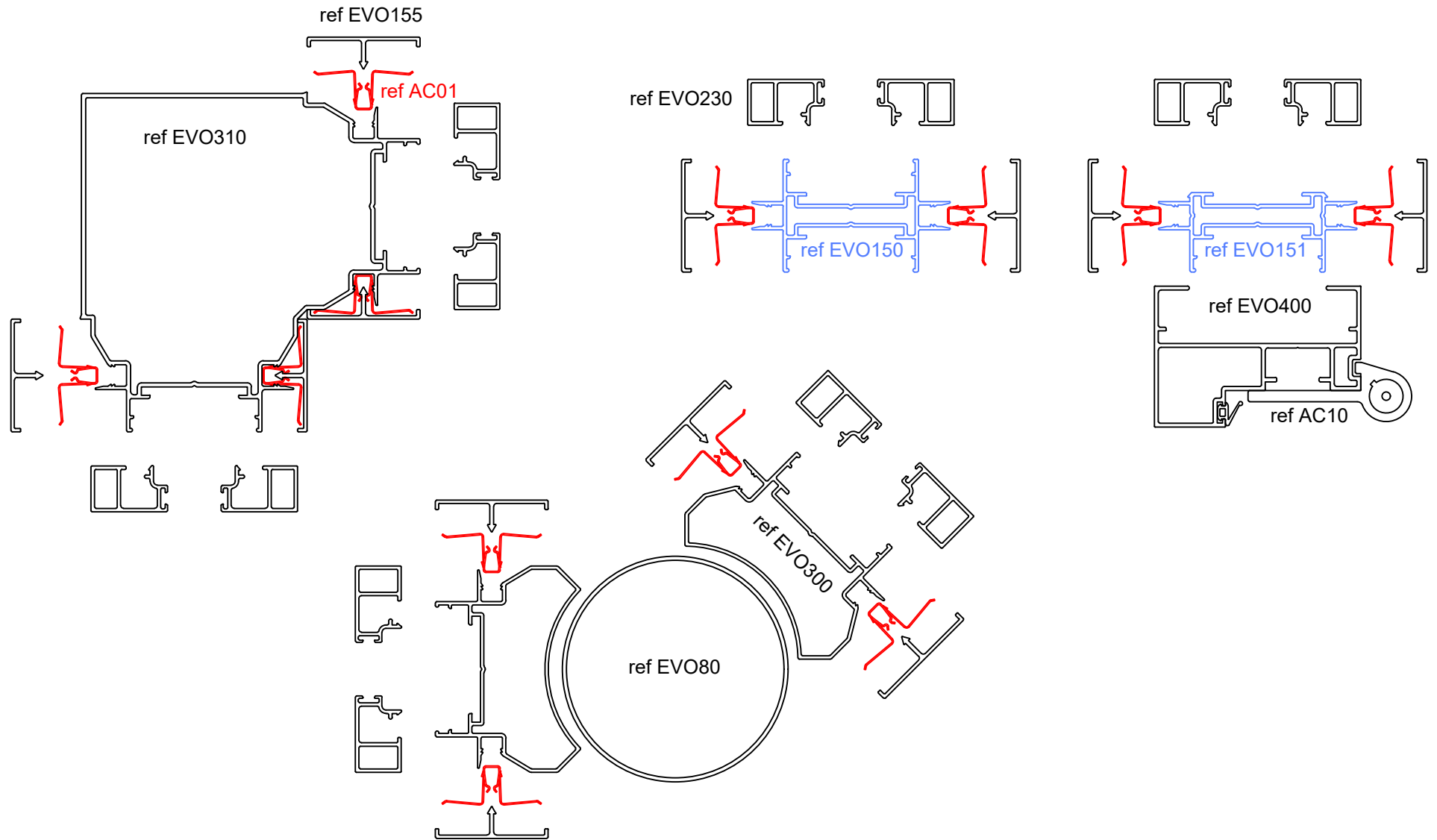
Glazing section centered
ref: EVO230

Half post
ref: EVO151

Covering
ref: EVO155



Assembly

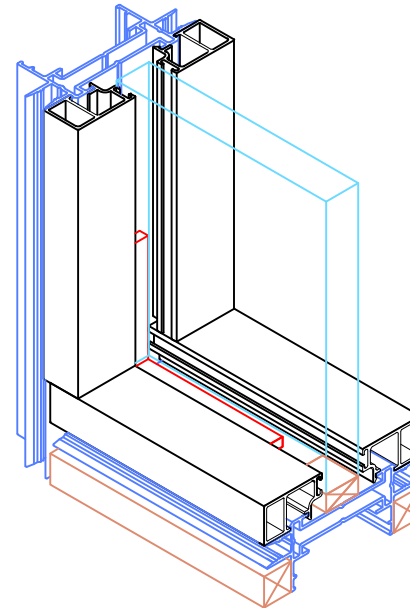
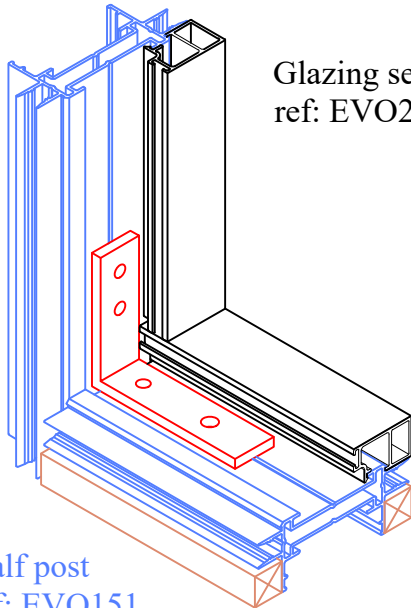


Half post
ref: EVO151

Corner
ref: ACSP

Half post
ref: EVO151

Glazing section centered
ref: EVO230



Covering
ref: EVO155

